

- ① ARROW POINTING TOWARDS DOOR STOP.
- ② DISTANCE 1/8 GREATER
- ③ DISTANCE 1/16 GREATER
- ④ DISTANCE 1/16 LESS

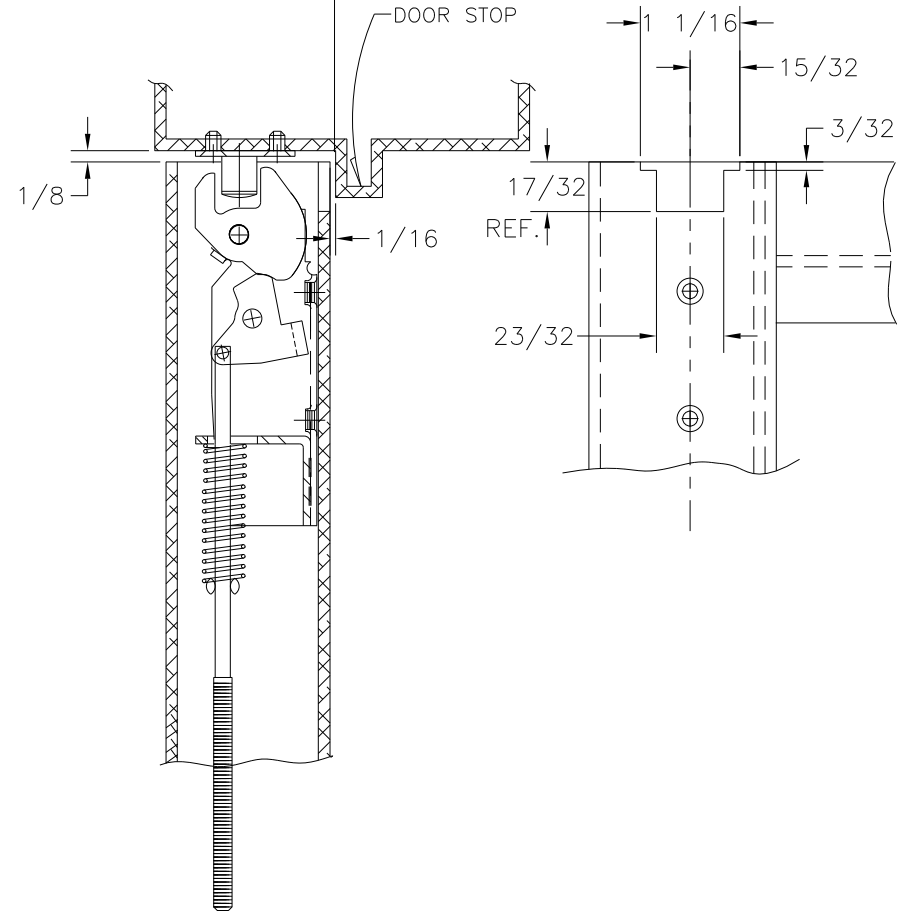
DRILL & TAP
FOR 8-32 FHMS (UND)
(4 PLACES)

CL OF TOP LATCH 11/16

11/16

21/32

VIEW #1



ROUTING AND INSTALLATION INSTRUCTIONS

1. PREPARE HEADER PER VIEW #1
2. POSITION STRIKE WITH ARROW AS SHOWN IN VIEW #1 AS A STARTING POINT.
3. ROTATE STRIKE TO INCREASE OR DECREASE GAP PER VIEWS 2, 3, OR 4
4. NOTE: 1/8 MAX. CLEARANCE BETWEEN DOOR AND HEADER MUST BE MAINTAINED IF GREATER, SHIM STRIKE TO MAINTAIN GAP.

DIMENSIONAL TOLERANCES UNLESS OTHERWISE SPECIFIED		APPROVALS	DATE
DECIMAL DIMENSIONS .XX	± .010	APPROVED	
DECIMAL DIMENSIONS .XXX	± .005	CHECKED	
ANGULAR ± °	FRACTIONAL ± 1/64	DRAWN	R.M. 8/12/96

FILE NO. 864	MATERIAL	SCALE NONE
NEXT ASSY.	FINISH	
QTY. USED 1	HEAT TREAT	

INSTALLATION INSTR.
AJUSTABLE STRIKE
1275,3185



3447 UNION PACIFIC AVE.
LOS ANGELES, CALIF. 90023

SHEET 1 OF 1 SHEETS	REV.
DWG. NO. 10-864	A