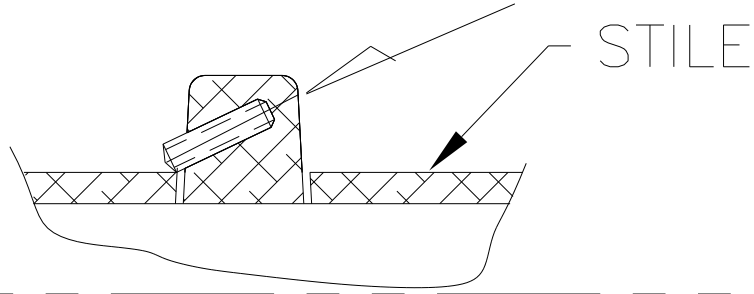
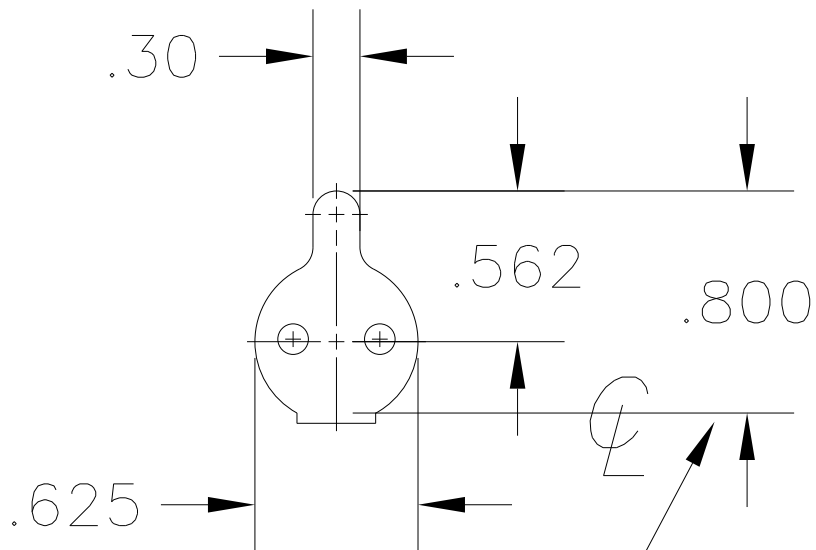


30-821B LOCK MOUNTING PAD



CAM DETAIL



MAKE OF
CYLINDER

RECOMMENDED CAMS

YALE

1161-L

CORBIN

MS-4800

RUSSWIN

MS-4800

SCHLAGE

B 502-292

ILCO

4002-2R (LOCKWOOD)

ADAMS RITE

MS-1850

SARGENT

47-40-101

OF CYLINDER