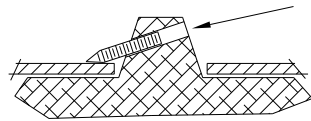


INSTALLATION MORTISE CYLINDER USED WITH PANIC 3185B

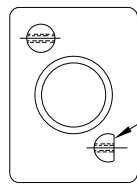
- 30-821B MORTISE CYL. PKG. INCLUDES
- 1 EA. MTG. PAD & SET SCR.'S
- 1 EA. ADAPTOR
- 1 EA. LOCK RING

MORTISE CYL. SUPPLIED BY OTHERS

TIGHTEN SET SCR.'S AGAINST STILE WALL

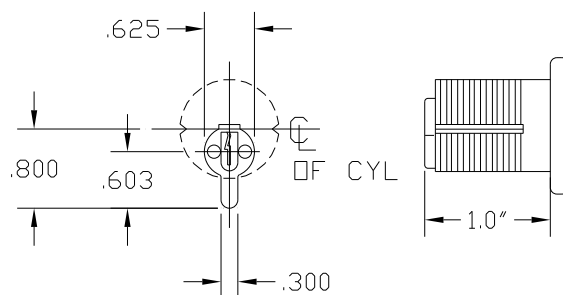
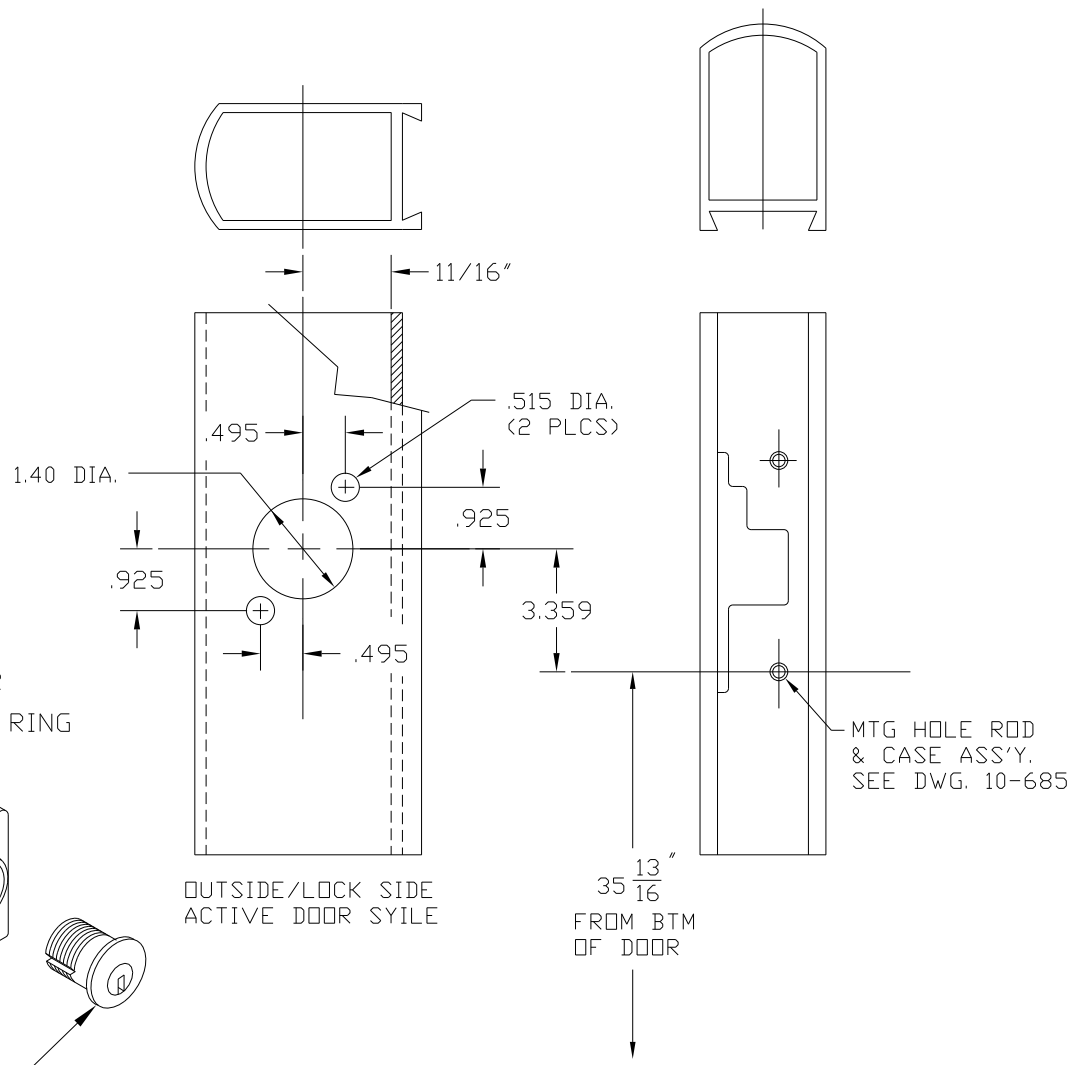
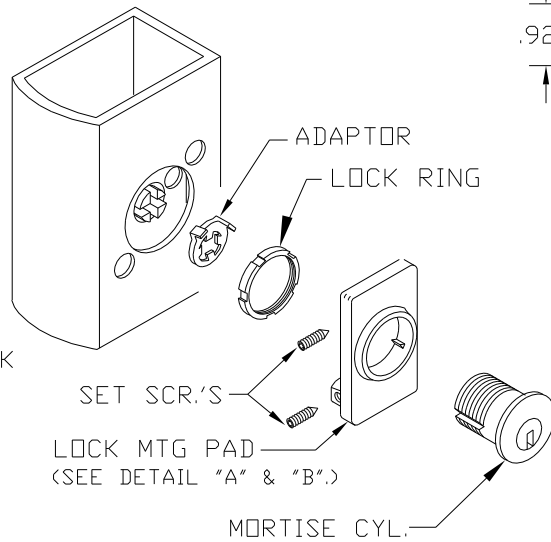


DETAIL "B"



INSTALL LOCK PAD SO THIS BOSS IS IN BTM HOLE

DETAIL "A"



RECOMMENDED CYL'S & CAMS	
CYLINDERS	CAMS
YALE	1161-L
CORBIN	MS-4800
RUSSWIN	MS-4800
SCHLAGE	B-502-292
ILCO	4002-2R
SARGENT	47-40-101
ADAMS RITE	MS 1850

DIMENSIONAL TOLERANCES UNLESS OTHERWISE SPECIFIED		APPROVALS	DATE
DECIMAL DIMENSIONS .XX	± .010	APPROVED	
DECIMAL DIMENSIONS .XXX	± .005	CHECKED	
ANGULAR ±	FRANCTIONAL ± 1/64	DRAWN	M.G. 8/3/93
MATERIAL		SCALE	NONE

APPROVED	
CHECKED	
DRAWN	M.G. 8/3/93
SCALE	NONE



Jackson
EXIT DEVICE
3474 UNION PACIFIC AVE.
LOS ANGELES, CALIF. 90023

NEXT ASSY.	FINISH
QTY. USED	HEAT TREAT

30-821B LOCK MTG PAD INST. GUIDE

SHEET 2 OF 2 SHEETS	REV.
DWG. NO. 10-784-2	