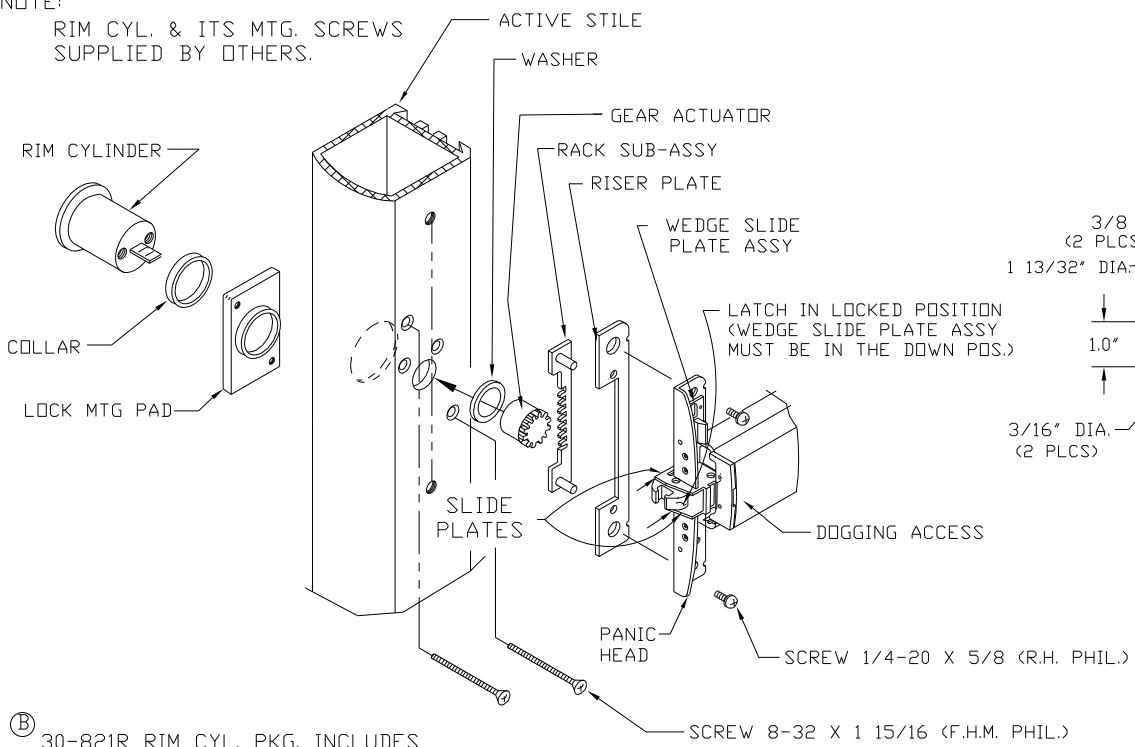
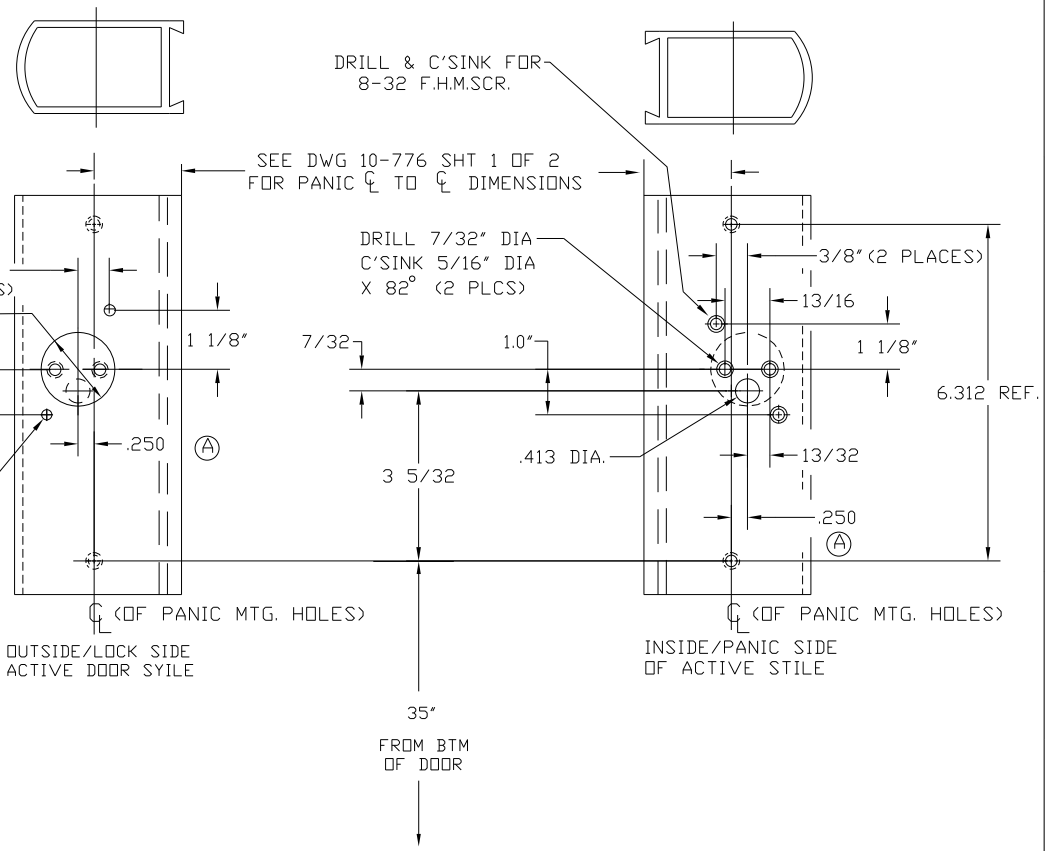


NOTE:

RIM CYL. & ITS MTG. SCREWS SUPPLIED BY OTHERS.



- Ⓑ 30-821R RIM CYL. PKG. INCLUDES
 - 1 EA. MTG. PAD
 - 1 EA. COLLAR
- Ⓐ 2 EA. SCREW 8-32 X 1 15/16 FH (PHIL.)



| | | |
|---|------------|----------------------------------|
| B 5/9/94 ECN 791 REVISE COMPONENTS OF PKG 30-821R | | RM |
| A 4/20/94 ADD .250 DIM & WASHER, CHANGE LOCK MTG PAD ECN783 | | RM |
| DIMENSIONAL TOLERANCES UNLESS OTHERWISE SPECIFIED | APPROVALS | DATE |
| DECIMAL DIMENSIONS .XX ± .010 | APPROVED | |
| DECIMAL DIMENSIONS .XXX ± .005 | CHECKED | |
| ANGULAR ± ° FRACTIONAL ± 1/64 | DRAWN | R.M. 1/26/94 |
| MATERIAL | SCALE | NONE |
| NEXT ASSY. | FINISH | 30-821R LOCK MTG PAD INST. GUIDE |
| QTY. USED 1 | HEAT TREAT | 10-796 |



3447 UNION PACIFIC AVE.
LOS ANGELES, CALIF. 90023
SHEET 2 OF 2 SHEETS
DWG. NO. 10-796