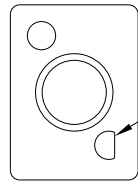
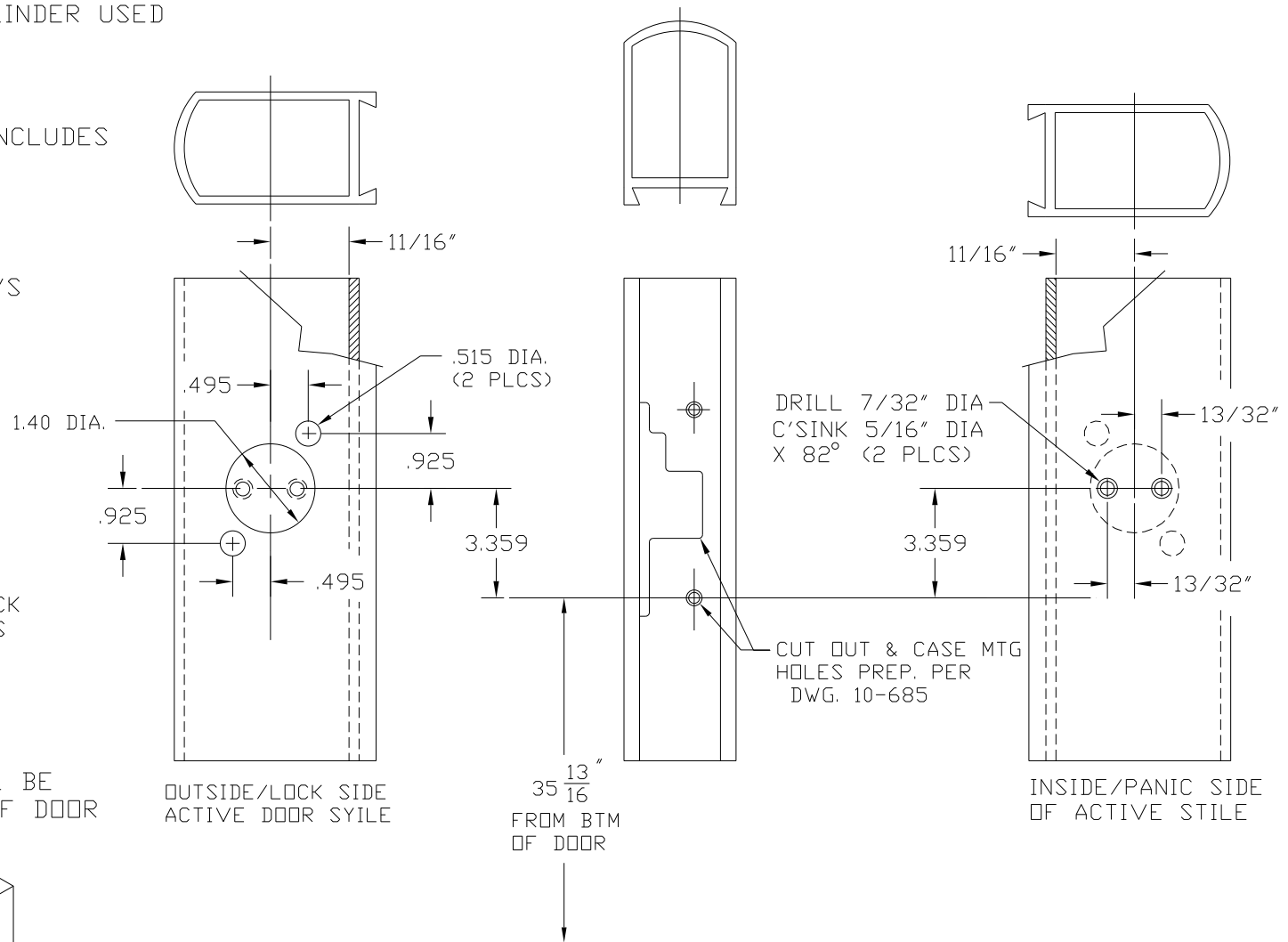


INSTALLATION RIM CYLINDER USED WITH PANIC 3185B

30-821E RIM CYL. PKG. INCLUDES
 1 EA. MTG. PAD
 1 EA. ADAPTOR
 1 EA COLLAR
 1 EA CYLINDER

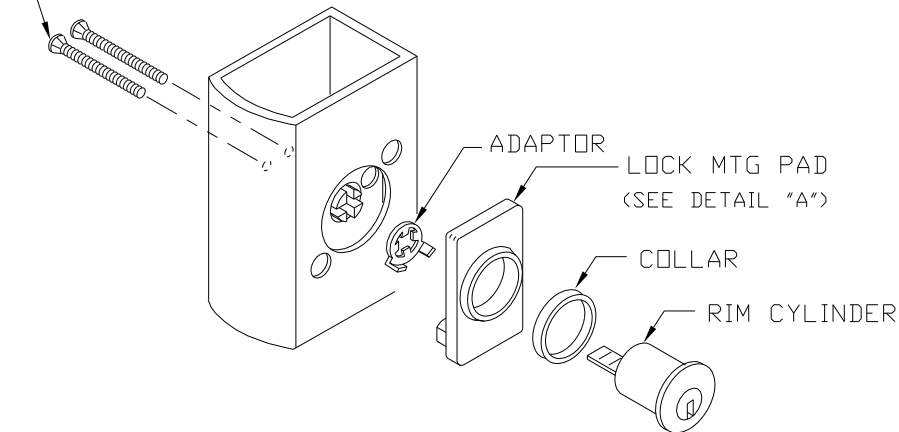
RIM CYL. & ITS MTG. SCR'S SUPPLIED BY OTHERS



INSTALL LOCK PAD SO THIS BOSS IS IN BTM HOLE

DETAIL "A"

RIM CYL MTG SCR'S CYL. MTG. SCR.'S WILL BE EXPOSED ON INSIDE OF DOOR



DIMENSIONAL TOLERANCES UNLESS OTHERWISE SPECIFIED		APPROVALS	DATE
DECIMAL DIMENSIONS .XX	± .010	APPROVED	
DECIMAL DIMENSIONS .XXX	± .005	CHECKED	
ANGULAR ±	FRANCTIONAL ± 1/64	DRAWN	M.G. 8/3/93
MATERIAL		SCALE	NONE



Jackson
 EXIT DEVICE
 3474 UNION PACIFIC AVE.
 LOS ANGELES, CALIF. 90023

NEXT ASSY.	FINISH	30-821E LOCK MTG PAD INST. GUIDE	SHEET 1 OF 2 SHEETS
QTY. USED	HEAT TREAT		DWG. NO. 10-784-1