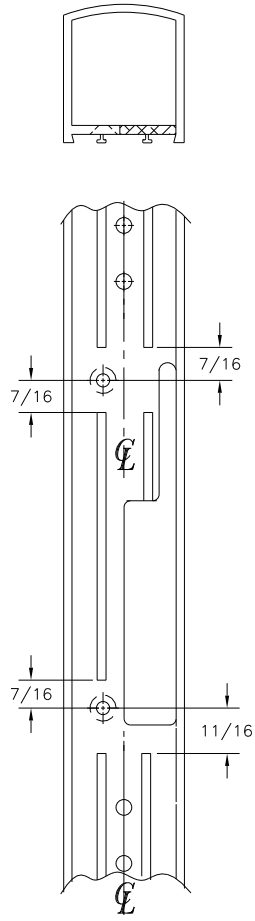
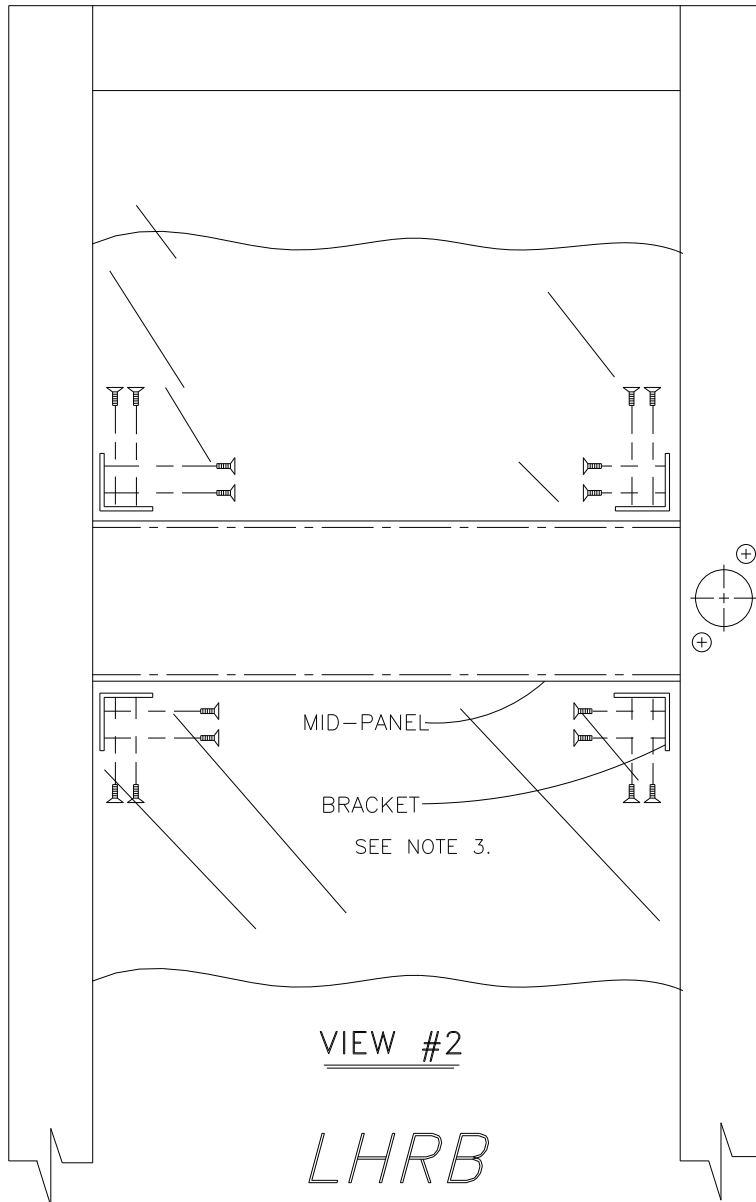


DOOR AND ROD CASE ASSY SEQUENCE

1. MILL IN-FILL SECTION OF ACTIVE TO ACCEPT LOCATOR PLATE SHOWN IN (VIEW #1)
2. INSERT ROD AND CASE ASSY INTO POSITION ALLOWING FOR ATTACHMENT OF LOCATOR PLATE TO CASE ASSY PER (VIEW #3) . SECURE WITH 2 EA. 10-32 FHMS.
3. INSTALL MID-PANEL AND SECURE ANGLE BRACKETS AS SHOWN. VIEW #2 (SUPPLIED BY OTHERS)
4. FOR MOUNTING & ADJUSTMENT INSTRUCTIONS OF 3185 PANIC DEVICE SEE OPPOSITE SIDE THIS PAGE (DWG. 10-1029-1 SHT. 1 OF 3).

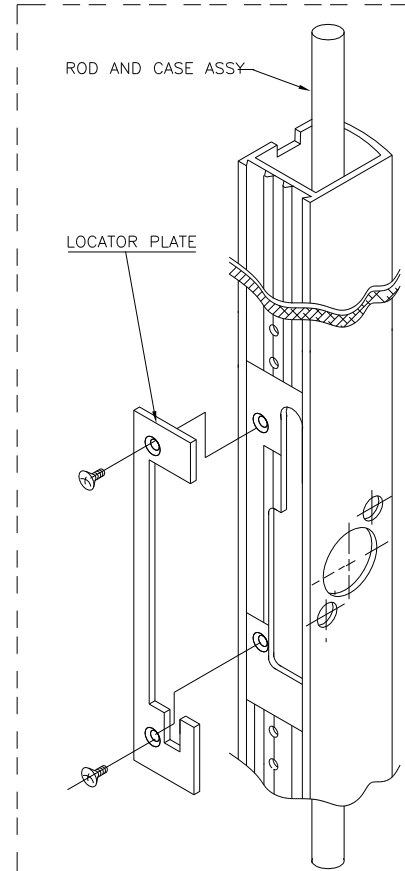


VIEW #1



VIEW #2

LHRB



VIEW #3

A 04/10/02 REVISED 3185 W/PULLMAN TOP LATCH ECN1570 RM

DIMENSIONAL TOLERANCES UNLESS OTHERWISE SPECIFIED	APPROVED	DATE
DECIMAL DIMENSIONS .XX ± .010	CHECKED	
DECIMAL DIMENSIONS .XXX ± .005	DRAWN	RM 04/10/02
ANGULAR ± ° FRACTIONAL ± 1/64	SCALE	NONE



FILE NO. 1029-3	MATERIAL	SCALE NONE	SHEET 3 OF 3 SHEETS
NEXT ASSY 3185 KITS	FINISH	MID-PANEL AND ROD & CASE INSTALLATION	DWG. NO. 10-1029
QTY. USED	HEAT TREAT		REV. A