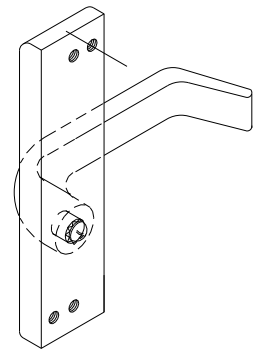


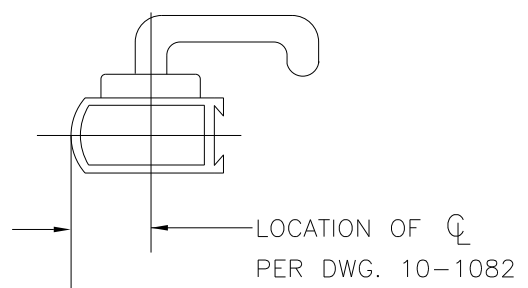
1/4" FINISH WASHER
2 PLACES
10-24 x 2-1/8 FHMS
2 PLACES

7500LVDT-01 OUTSIDE TRIM
WITH ROUND LEVER (SHOWN)



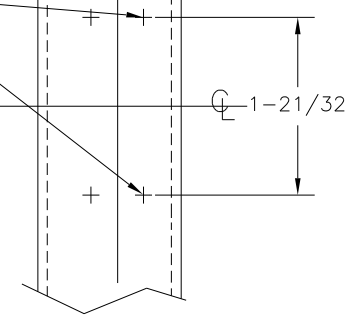
7500LVDT-02 OUTSIDE TRIM (SHOWN)
WITH FLAT LEVER

← 1275 PANIC

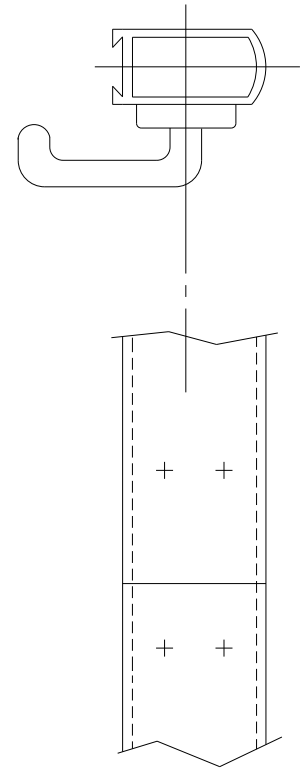


MTG. POINTS 1275 PANIC
AND 7500LV TRIM
SEE DWG. 10-1082 FOR
COMPLETE INSTALLATION
OF 1275 PANIC

40" FROM BTM
OF DOOR



PANIC SIDE (INSIDE)
ACTIVE STILE



TRIM SIDE (OUTSIDE)
ACTIVE STILE

DIMENSIONAL TOLERANCES UNLESS OTHERWISE SPECIFIED		APPROVALS	DATE
DECIMAL DIMENSIONS .XX	± .010	APPROVED	
DECIMAL DIMENSIONS .XXX	± .005	CHECKED	
ANGULAR ± °	FRACTIONAL ± 1/64	DRAWN	R.M. 5.12.03
MATERIAL		SCALE NONE	

Jackson
CORPORATION
3447 UNION PACIFIC AVE.
LOS ANGELES, CALIF. 90023

NEXT ASSY.	FINISH	7500LVDT-01/02 SER. INST. GUIDE	SHEET 1 OF 1 SHEETS	
QTY. USED	HEAT TREAT		DWG. NO. 10-1121	REV. A