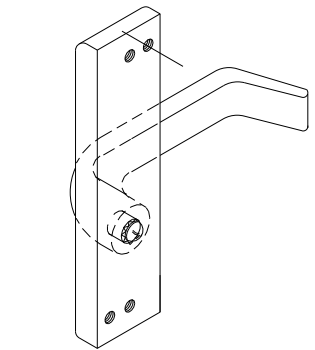
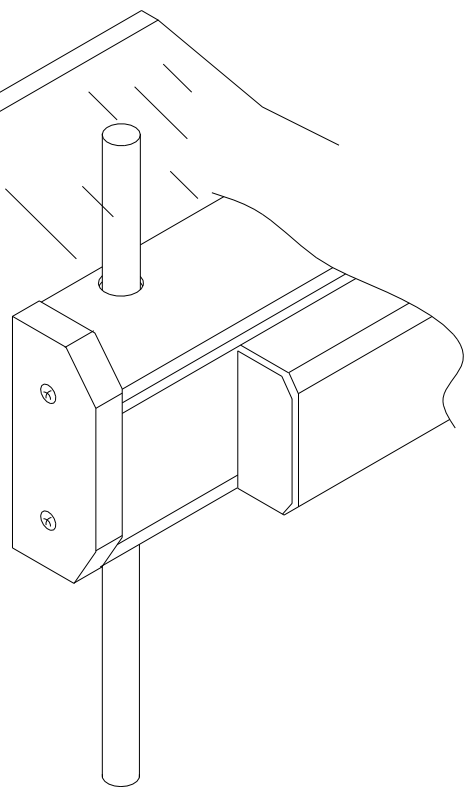


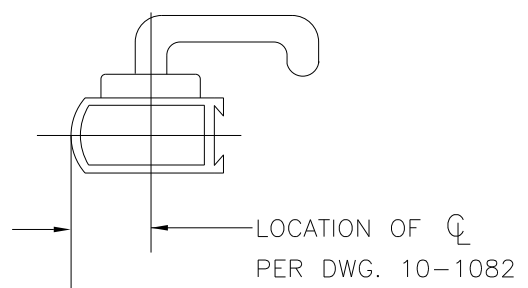
7500LVDT-01 OUTSIDE TRIM  
WITH ROUND LEVER (SHOWN)



7500LVDT-02 OUTSIDE TRIM (SHOWN)  
WITH FLAT LEVER

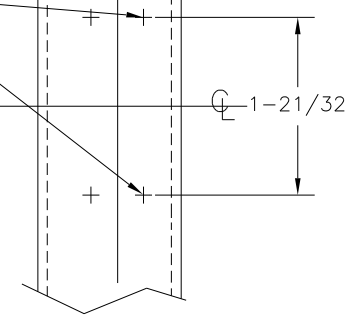


← 1275 PANIC

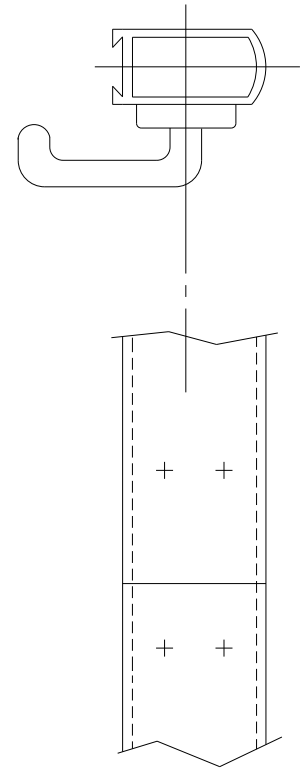


MTG. POINTS 1275 PANIC  
AND 7500LV TRIM  
SEE DWG. 10-1082 FOR  
COMPLETE INSTALLATION  
OF 1275 PANIC

40" FROM BTM  
OF DOOR



PANIC SIDE (INSIDE)  
ACTIVE STILE



TRIM SIDE (OUTSIDE)  
ACTIVE STILE

DIMENSIONAL TOLERANCES UNLESS OTHERWISE SPECIFIED		APPROVALS	DATE
DECIMAL DIMENSIONS .XX	± .010	APPROVED	
DECIMAL DIMENSIONS .XXX	± .005	CHECKED	
ANGULAR ± °	FRACTIONAL ± 1/64	DRAWN	R.M. 5.12.03
MATERIAL		SCALE NONE	

**Jackson**  
CORPORATION  
3447 UNION PACIFIC AVE.  
LOS ANGELES, CALIF. 90023

NEXT ASSY.	FINISH	7500LVDT-01/02 SER. INST. GUIDE	SHEET 1 OF 1 SHEETS	
QTY. USED	HEAT TREAT		DWG. NO. 10-1121	REV. A