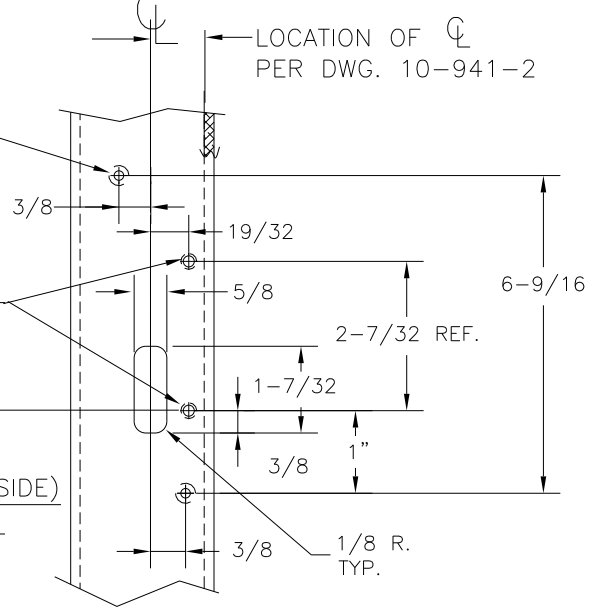


1/4" FINISH WASHER  
2 PLACES  
10-24 x 2-1/8 FHMS  
2 PLACES

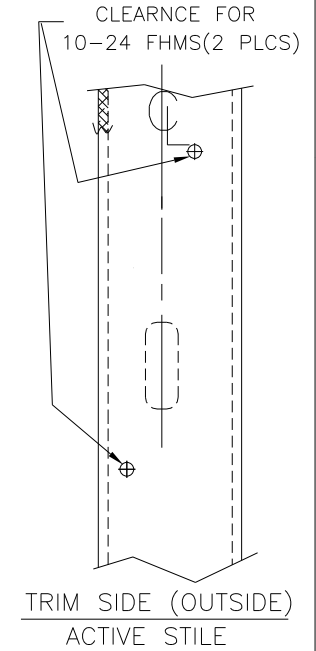
8500LVDT-01 OUTSIDE TRIM  
WITH ROUND LEVER (SHOWN)

DRILL & C'SINK  
FOR 10-24 FHMS  
2 PLACES

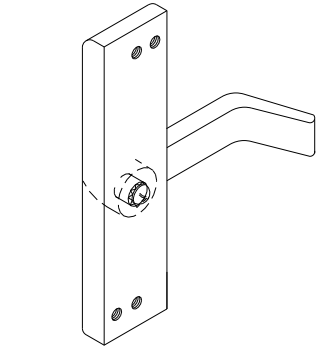
MTG. HOLES 1285 PANIC  
AND 8500LV TRIM  
SEE DWG. 10-941 FOR  
COMPLETE INSTALLATION  
OF 1285 PANIC



PANIC SIDE (INSIDE)  
ACTIVE STILE



38-7/8" FROM BTM  
OF DOOR



8500LVDT-02 OUTSIDE TRIM  
WITH FLAT LEVER (ALT.)

C 7/11/03 REVISE ACTIVE STILE PREP (HOLES)		APPROVALS		DATE	ECN1684 RM
DIMENSIONAL TOLERANCES UNLESS OTHERWISE SPECIFIED			APPROVED		
DECIMAL DIMENSIONS .XX ± .010			CHECKED		
DECIMAL DIMENSIONS .XXX ± .005			DRAWN	R.M.	01/30/01
ANGULAR ± °	FRACTIONAL ± 1/64	MATERIAL	SCALE	NONE	

**JACKSON**  
CORPORATION  
3447 UNION PACIFIC AVE.  
LOS ANGELES, CALIF. 90023

NEXT ASSY.	FINISH	8500LVDT-01 INST. GUIDE (SHOWN)	SHEET 1 OF 1 SHEETS
QTY. USED	HEAT TREAT		DWG. NO. 10-1001
			REV. C