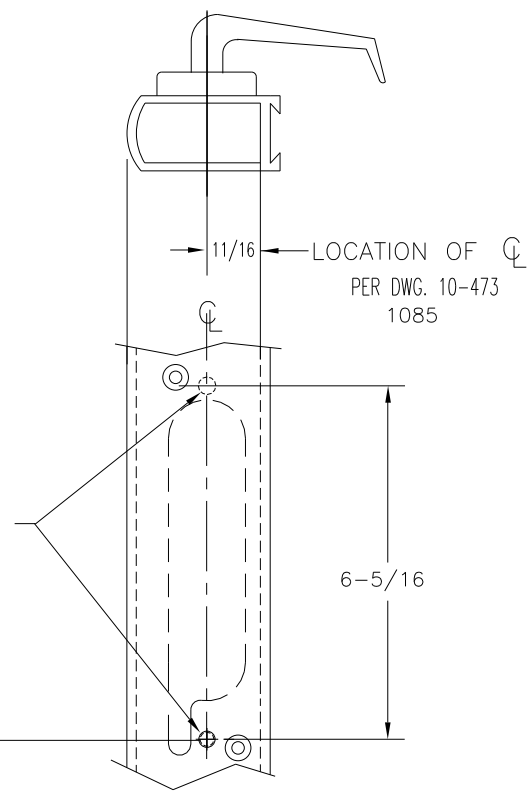


1/4-20 x 2-1/8 SHOULDER BOLT 2 PLACES

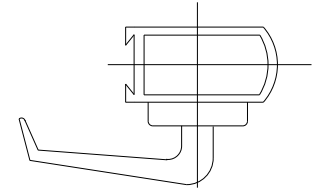
8500LV-01 OUTSIDE TRIM WITH ROUND LEVER

MTG. HOLES 1085 PANIC AND 8500LV TRIM SEE DWG. 10-473 FOR COMPLETE INSTALLATION OF 1085 PANIC

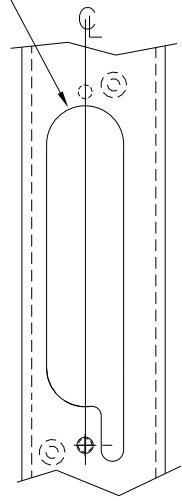
1085 PANIC



PANIC SIDE (INSIDE) ACTIVE STILE

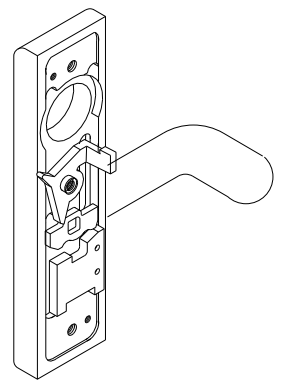


REF. 10-987 FOR CUT-OUT DETAIL



TRIM SIDE (OUTSIDE) ACTIVE STILE

35" FROM BTM OF DOOR



8500LV-02 OUTSIDE TRIM WITH FLAT LEVER

DIMENSIONAL TOLERANCES UNLESS OTHERWISE SPECIFIED		APPROVALS	DATE
DECIMAL DIMENSIONS .XX	± .010	APPROVED	
DECIMAL DIMENSIONS .XXX	± .005	CHECKED	
ANGULAR ± °	FRACTIONAL ± 1/64	DRAWN	R.M. 9/9/03
MATERIAL		SCALE	NONE

Jackson
CORPORATION

3447 UNION PACIFIC AVE.
LOS ANGELES, CALIF. 90023

NEXT ASSY.	FINISH
QTY. USED	HEAT TREAT

INSTALLATION GUIDE
8500LV-XX
1085

SHEET 1 OF 1 SHEETS	
DWG. NO.	REV.
10-1118	A