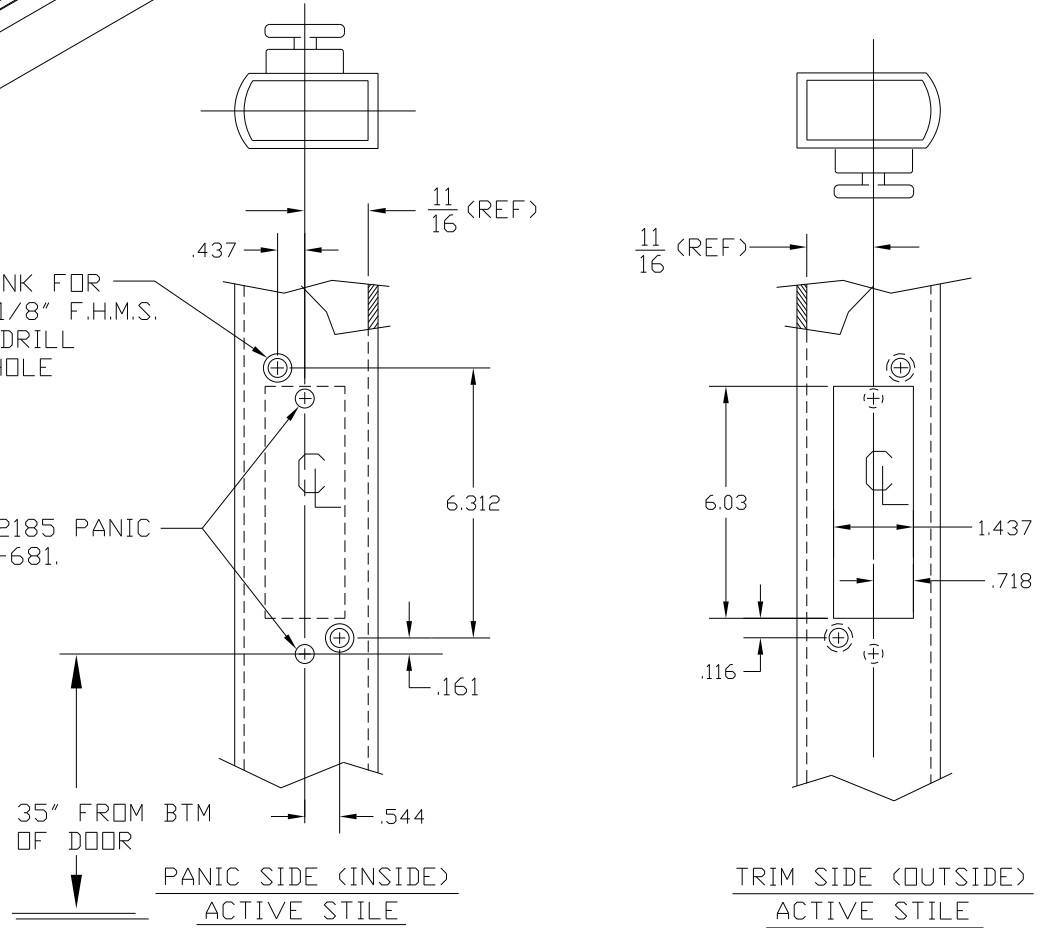
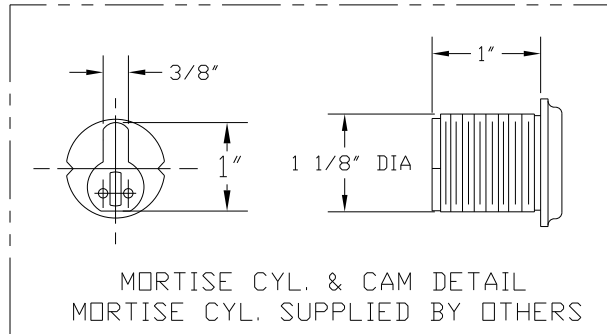


DRILL & C'SINK FOR
#10-24 X 2-1/8" F.H.M.S.
PANIC SIDE. DRILL
CLEARANCE HOLE
TRIM SIDE.
(2 PLCS)

MTG. HOLES 2185 PANIC
SEE DWG. 10-681.



8500TT OUTSIDE TRIM WITH THUMBTURN KNOB

DIMENSIONAL TOLERANCES UNLESS OTHERWISE SPECIFIED		APPROVALS		DATE
DECIMAL DIMENSIONS .XX	± .010	APPROVED		
DECIMAL DIMENSIONS .XXX	± .005	CHECKED		
ANGULAR ±	FRACTIONAL ± 1/64	DRAWN	MG	04/29/94
MATERIAL		SCALE NONE		



Jackson
EXIT DEVICE

3447 UNION PACIFIC AVE.
LOS ANGELES, CALIF. 90023

NEXT ASSY. 8500TT	FINISH
QTY. USED 1	HEAT TREAT

8500TT INST.
GUIDE

SHEET 2 OF 2 SHEETS	
DWG. NO. 10-812	REV.