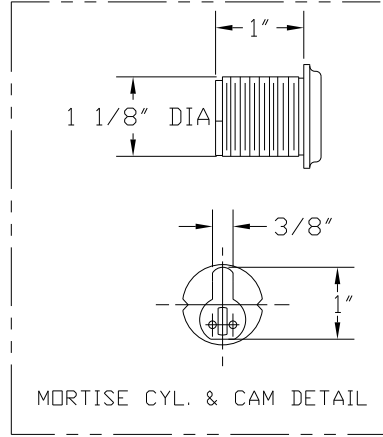
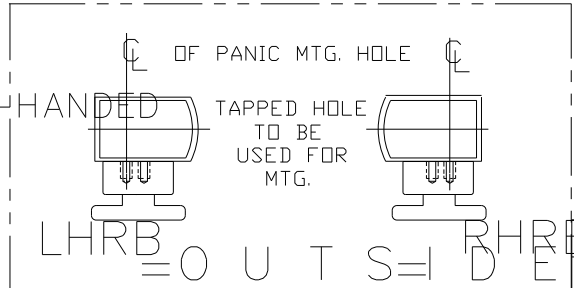


RHRB (SHOWN)



NOTE: THUMBTURN TRIM IS NON-HANDED



DIMENSIONAL TOLERANCES UNLESS OTHERWISE SPECIFIED		APPROVALS	DATE
DECIMAL DIMENSIONS .XX	± .010	APPROVED	
DECIMAL DIMENSIONS .XXX	± .005	CHECKED	
ANGULAR ± °	FRACTIONAL ± 1/64	DRAWN	MG 03/30/94
MATERIAL		SCALE	NONE

FINISH	HEAT TREAT
ROUTING INSTRUCTIONS	9500TT W/2195 PANIC



Jackson
EXIT DEVICE

3447 UNION PACIFIC AVE.
LOS ANGELES, CALIF. 90023

NEXT ASSY.	9500TT
QTY. USED	1

SHEET 2 OF 2 SHEETS	REV.
DWG. NO.	10-806