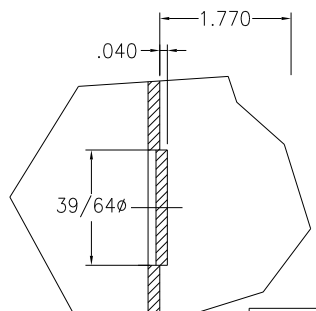
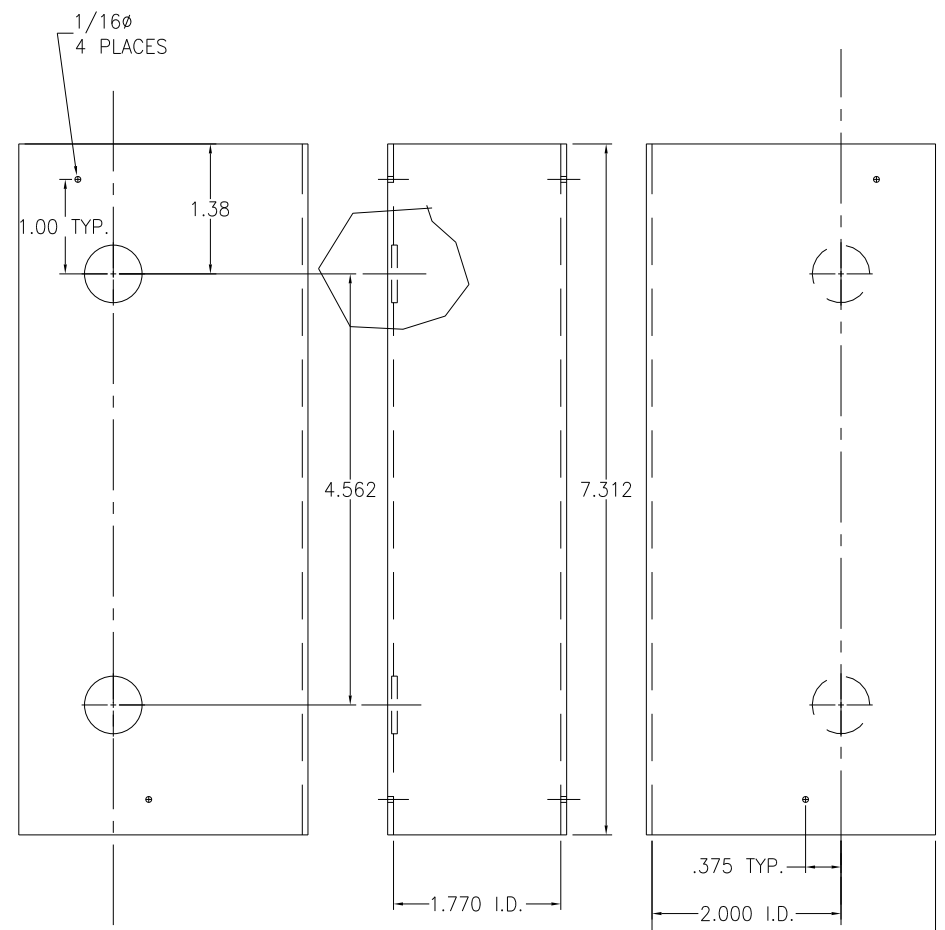


NOTE—BREAK ALL SHARP EDGES.



PIP DETAIL  
2 PLACES

DIMENSIONAL TOLERANCES UNLESS OTHERWISE SPECIFIED		APPROVALS	DATE
DECIMAL DIMENSIONS .XX	± .010	APPROVED	
DECIMAL DIMENSIONS .XXX	± .005	CHECKED	
ANGULAR ± °	FRACTIONAL ± 1/64	DRAWN	R.M. 06/06/00
MATERIAL .060 ALUM		SCALE	FULL



3447 UNION PACIFIC AVE.  
LOS ANGELES, CALIF. 90023

FILE NO.	FINISH NONE	DRILL TEMPLATE OUTSIDE TRIM THRU-STILE HOLES JACKSON/VON D.	SHEET 1 OF 1 SHEETS
NEXT ASSY. 2085-KITS	HEAT TREAT		DWG. NO. 10-1077
QTY. USED 1			REV. 1