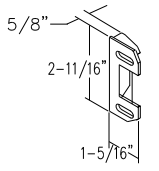
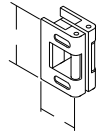


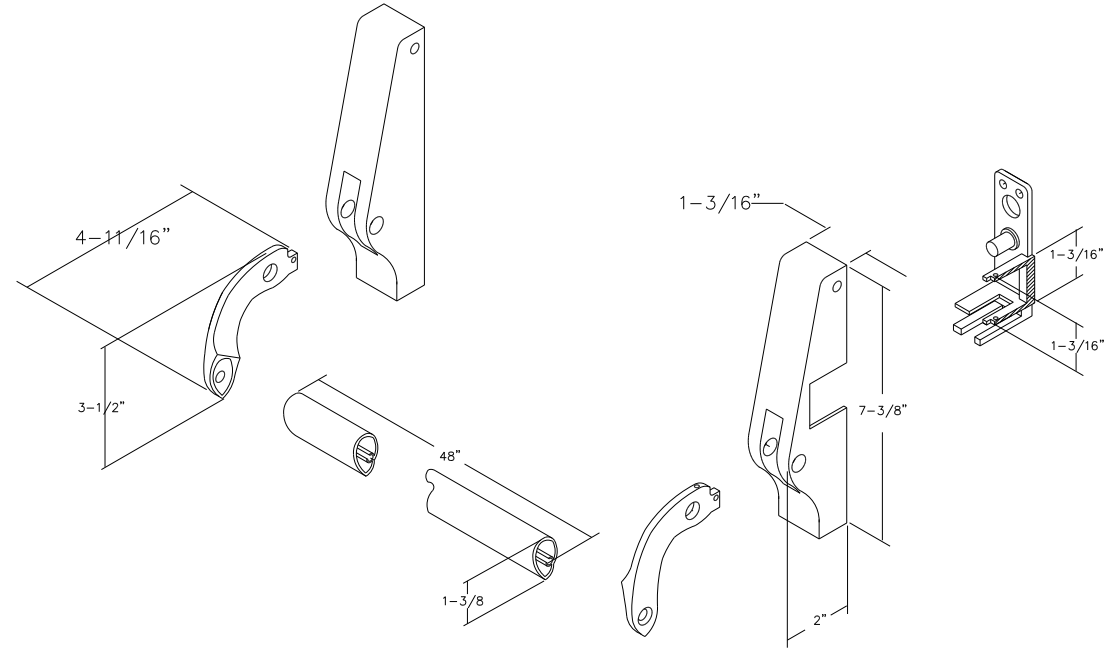
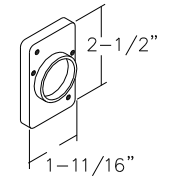
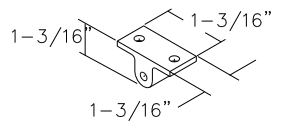
"S" STRIKE
30-2503-XXX



"C" STRIKE
30-2426



"P" STRIKE
30-784-XXX



DIMENSIONAL TOLERANCES UNLESS OTHERWISE SPECIFIED	APPROVALS	DATE
DECIMAL DIMENSIONS .XX ± .010	APPROVED	
DECIMAL DIMENSIONS .XXX ± .005	CHECKED	
ANGULAR ± ° FRACTIONAL ± 1/64	DRAWN	
MATERIAL	SCALE	

FILE NO.	FINISH
NEXT ASSY.	HEAT TREAT
QTY. USED	

10SERCOMPONENTS



SHEET 1 OF 1 SHEETS	
DWG. NO.	REV.