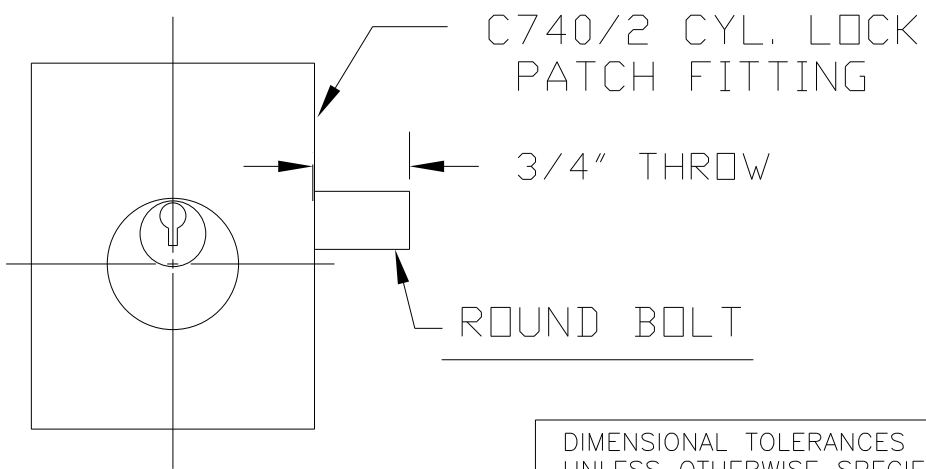
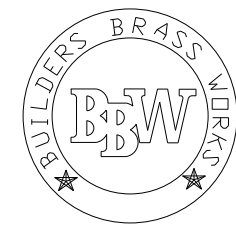


MORTISE CYL. & CAM DETAIL
(REF. TESKEY LOCK #ST-1310
AND CAM #.334.)



DIMENSIONAL TOLERANCES UNLESS OTHERWISE SPECIFIED	
DECIMAL DIMENSIONS .XX	± .010
DECIMAL DIMENSIONS .XXX	± .005
ANGULAR ± °	FRACTIONAL ± 1/64

APPROVALS		DATE
APPROVED		
CHECKED		
DRAWN		10/15/92



jackson
EXIT DEVICE

3447 UNION PACIFIC AVE.
LOS ANGELES, CALIF. 90023

MATERIAL _____

SCALE FULL

NEXT ASSY.	_____
QTY. USED	_____

FINISH	_____
HEAT TREAT	_____

C710 & C740 MORTISE
LOCK ORIENTATION

SHEET 1 OF 1 SHEETS	
DWG. NO.	REV.
10-690	