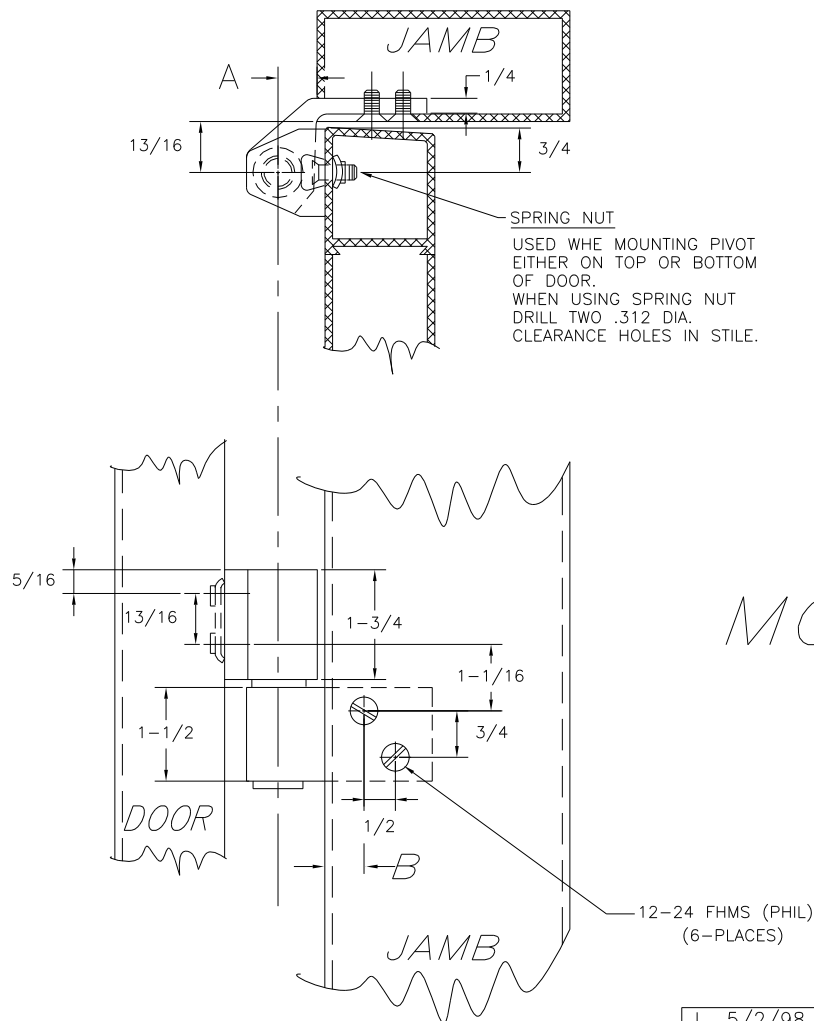


DIMENSION	A	B
DOOR RECESSED 1/8"	5/8"	5/8"
DOOR FLUSH WITH HEADER	3/4"	1/2"

RH/LHRB (SHOWN)
LH/RHRB (OPPOSITE)
PIVOT REVERSIBLE FOR DESIRED HAND



SPRING NUT
USED WHE MOUNTING PIVOT
EITHER ON TOP OR BOTTOM
OF DOOR.
WHEN USING SPRING NUT
DRILL TWO .312 DIA.
CLEARANCE HOLES IN STILE.

MODEL J14S

DOOR OPEN 180°

J 5/2/98 R E D R A W N ECN1143		RM	
DIMENSIONAL TOLERANCES UNLESS OTHERWISE SPECIFIED		APPROVALS	DATE
DECIMAL DIMENSIONS .XX	± .010	APPROVED	
DECIMAL DIMENSIONS .XXX	± .005	CHECKED	
ANGULAR ± °	FRACTIONAL ± 1/64	DRAWN	R.M. 1/16/97
FILE NO. 10-235B	MATERIAL	SCALE NONE	
NEXT ASSY.	FINISH	INTERMEDIATE PIVOT SET NO. J14S	
QTY. USED	HEAT TREAT	SHEET 1 OF 1 SHEETS	
		DWG. NO.	REV.
		10-235B	J

